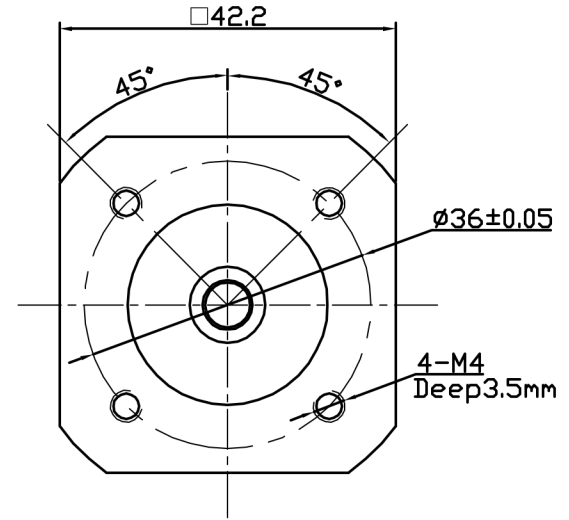
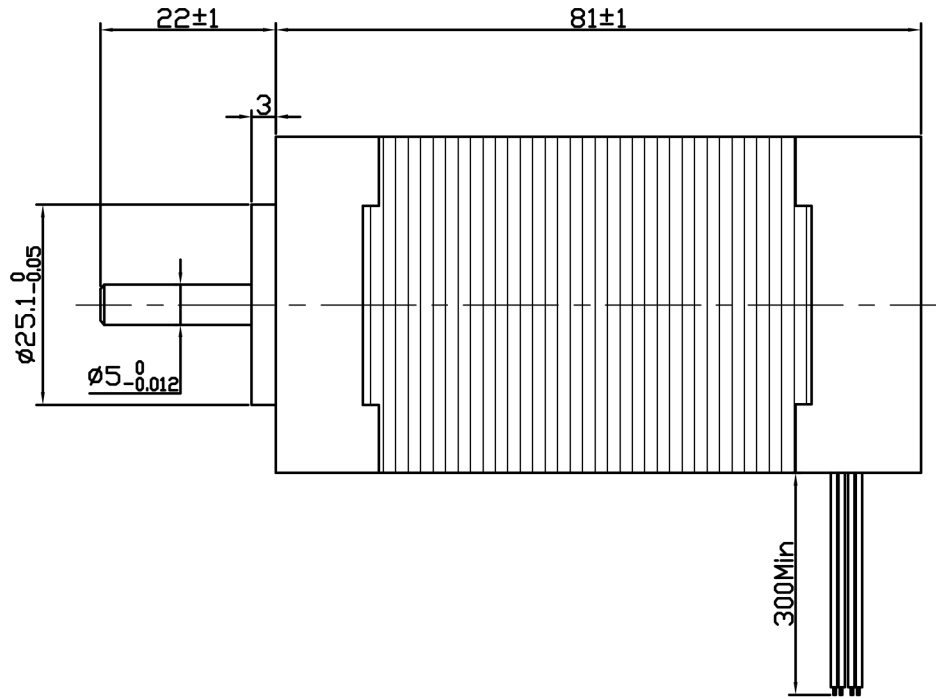
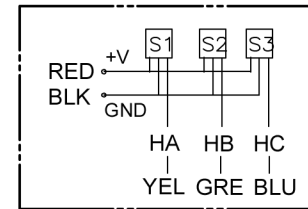


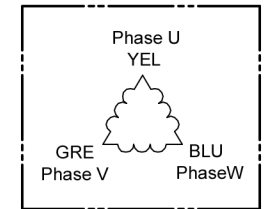
Dimension:
Unit=mm



Connection diagram:



Hall sensor cable
Note: hall sensor power supply voltage +5 to +20VDC



Wiring cable

ROTATION: CW SEE FROM LEAD END

MANUFACTURER MODEL	JK42BLS03
NUMBER OF POLES	8
PHASE TO PHASERESISTANCE	0.55 OHMS
NOMINAL VOLTAGE	24 VDC
NO LOAD SPEED	5800±10% RPM
NO LOAD CURRENT	0.6 Amps Max.
RATED TORQUE	0.185 N-m
RATED SPEED	4000±10% RPM
OUTPUT POWER	77.5 W
BACK EMF CONSTANT	4.1 V/kRPM
TORQUE CONSTANT	0.04 N-m/A
INSULATION CLASS	B

ELECTRICAL CONNECTION TABLE

+5V	RED	红	UL1007 26 AWG
HALL U	YEL	黄	
HALL V	GRE	绿	
HALL W	BLU	蓝	
GND	GND	黑	
PHASE U	YEL	黄	UL1007 20 AWG
PHASE V	GRE	绿	
PHASE W	BLU	蓝	

					Title:			Changzhou BesFoc Motor Co., Ltd
					Specification			
REV.	QTY.	No.	SIG.	DATE	CLS.MAK	WEIGHT	SCALE	BF42BLS03
DESIGN			STD.					
CHECK					PAGE: 1/1			www.besfoc.com
PROC.			APPR.					