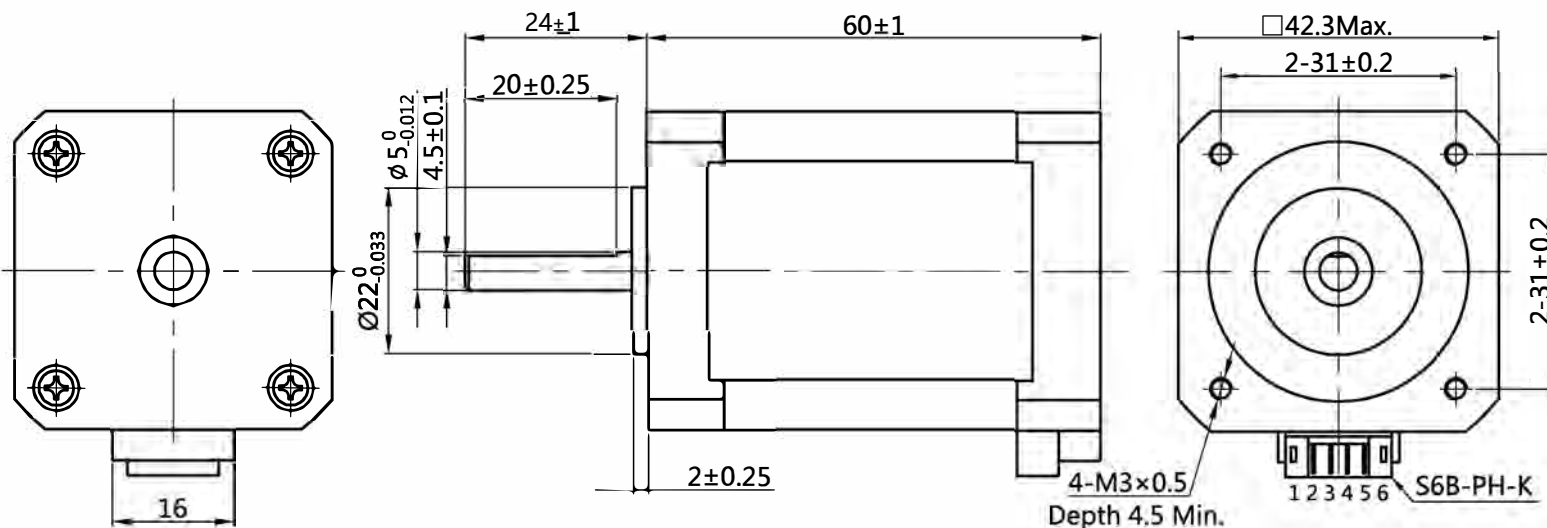
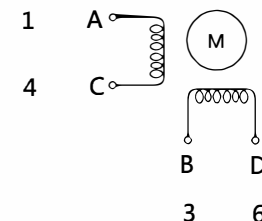


HYBRID STEPPING MOTOR SPECIFICATION

DIMENSIONS unit=mm



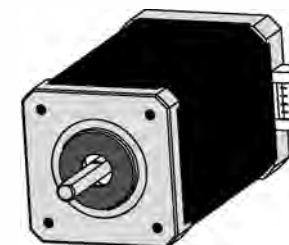
Wiring Diagram



Exciting Sequence vs. Direction of Rotation

STEP	A	B	C	D	
1	+	+	-	-	CCW ↑
2	-	+	+	-	
3	-	-	+	+	
4	+	-	-	+	

Clockwise view from mounting side



1、 Number of Phase	2			
2、 Step Angle	1.8° deg.			
3、 Rated Voltage	5.1 V			
4、 Rated Current/Phase	1.7 A (峰值 Peak Value)			Email: sales@besfoc.com
5、 Phase Resistance	3.0 Ω±0.1(20°C)			REV. REVISION RECORD DATE
6、 Phase Inductance	6.2 mH±20%(1kHz 1V RMS)			DESIGN 成兆茹 2020.6.30 Changzhou BesFoc Motor Co., Ltd
7、 Holding Torque	7.3 kg.cm			STANDARD www.besfoc.com
8、 Insulation Class	B (130°);温升 80K Max.			TECHNOLOGY
9、 Weight	0.5 kg			CHECK
				APPROVE

TITLE	STEPPING MOTOR			
DWG.NO.	BF42HS60-1704A			
MATERIAL	ECN SIGN	※	SIZE	A4
REV.	A	SCALE	1:2	SHEET 1 of 1

Specification