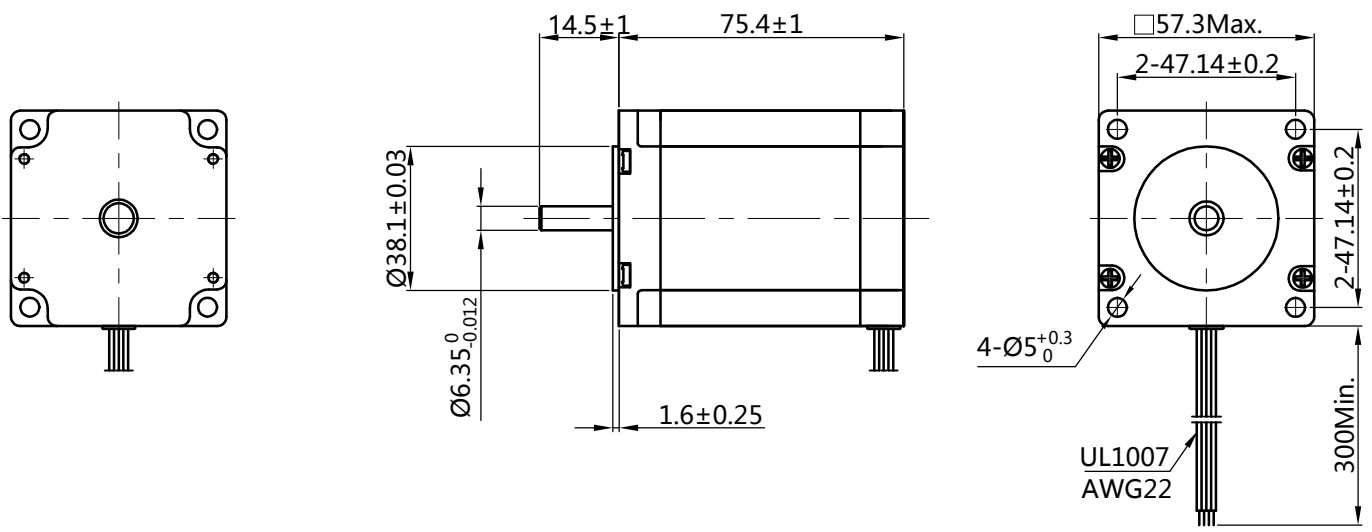
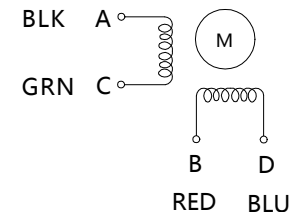


HYBRID STEPPING MOTOR SPECIFICATION

DIMENSIONS unit=mm



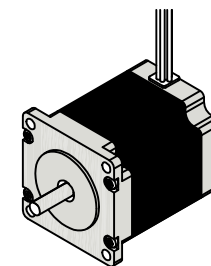
Wiring Diagram



Exciting Sequence vs. Direction of Rotation

STEP	A	B	C	D	
1	+	+	-	-	↓ CW ↑ CCW
2	-	+	+	-	
3	-	-	+	+	
4	+	-	-	+	

Clockwise view from mounting side



1、 Number of Phase	2				
2、 Step Angle	1.8° deg.				
3、 Rated Voltage	3.08 V				
4、 Rated Current/Phase	2.8 A (Peak Value)				Email: sales@besfoc.com
5、 Phase Resistance	1.1 Ω±10%(20°C)				
6、 Phase Inductance	3.6 mH±20%(1kHz 1V RMS)				
7、 Holding Torque	1.89 N.m				
8、 Insulation Class	B (130°) ; 80K Max.				
9、 Weight	1.1 kg				
Specifications		Comment			

REV.	REVISION RECORD		DATE
	DESIGN	YY 2020.06.29	Changzhou BesFoc Motor Co., Ltd www.besfoc.com
	STANDARD		
	TECHNOLOGY		
	CHECK		
	APPROVE		

TITLE	STEPPING MOTOR			
DWG.NO.	BF57HS76-2804			
MATERIAL	ECN SIGN	✳	SIZE	A4
REV.	A	SCALE	1:2	SHEET 1 of 1

Specification