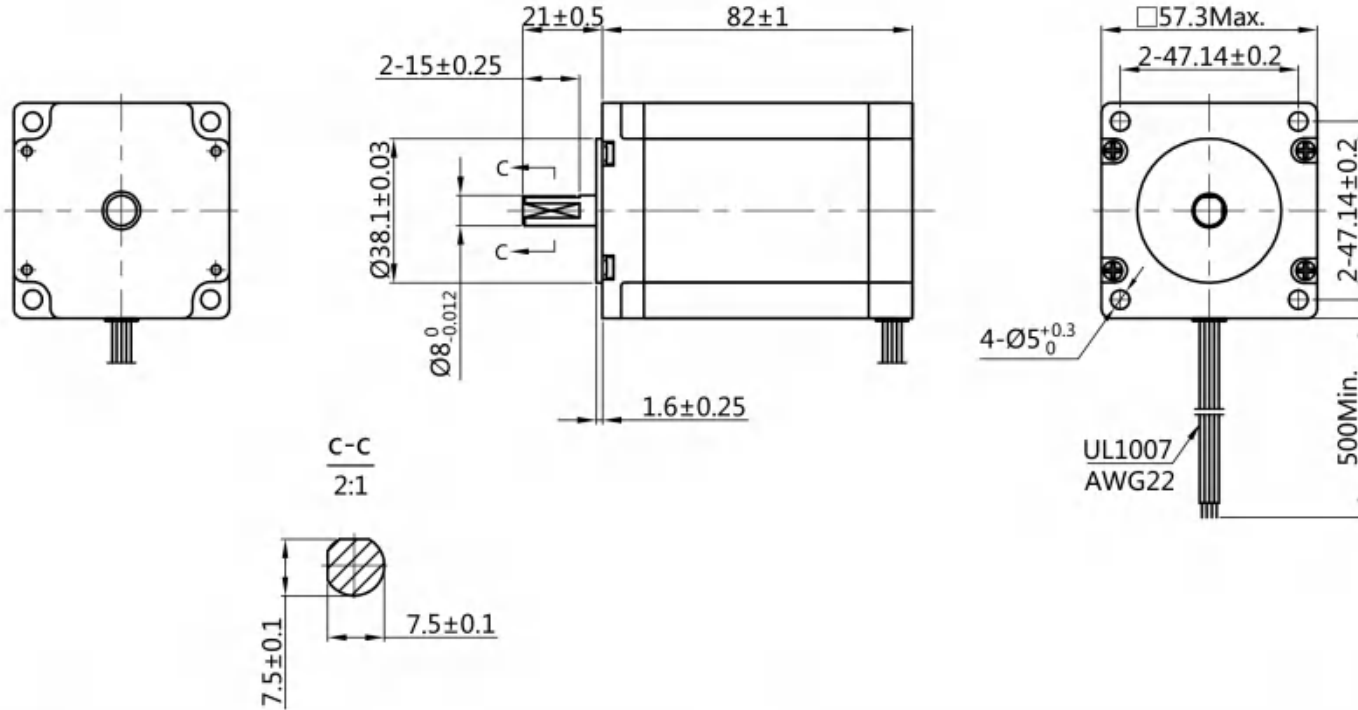
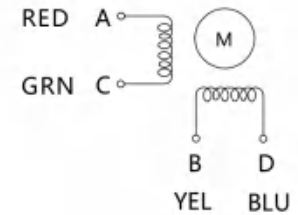


# HYBRID STEPPING MOTOR SPECIFICATION

DIMENSIONS unit=mm



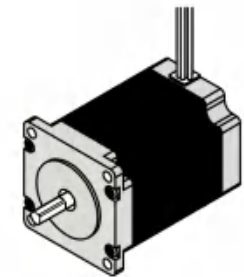
Wiring Diagram



Exciting Sequence vs. Direction of Rotation

STEP	A	B	C	D	
1	+	+	-	-	↓ CW ↑ CCW
2	-	+	+	-	
3	-	-	+	+	
4	+	-	-	+	

Clockwise view from mounting side



1. Number of Phase	2				
2. Step Angle	1.8° deg.				
3. Rated Voltage	3.6 V				
4. Rated Current/Phase	3 A ( Peak Value )				
5. Phase Resistance	1.2 Ω±10%(20°C)				
6. Phase Inductance	4 mH±20%(1kHz 1V RMS)				
7. Holding Torque	21 Kg.cm				
8. Insulation Class	B ( 130° ); 80K Max.				
9. Weight	1.2 kg				
<b>Specifications</b>		<b>Comment</b>			

REV.	REVISION RECORD		DATE
DESIGN	YY	2020.06.29	Changzhou BesFoc Motor Co., Ltd www.besfoc.com
STANDARD			
TECHNOLOGY			
CHECK			
APPROVE			

TITLE	STEPPING MOTOR			
DWG.NO.	BF57HS82-3004			
MATERIAL	ECN SIGN	✳	SIZE	A4
REV.	A	SCALE	1:2	SHEET 1 of 1

Specification