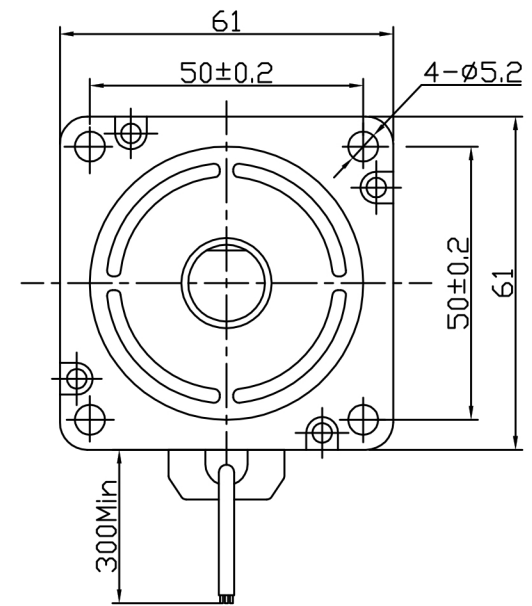
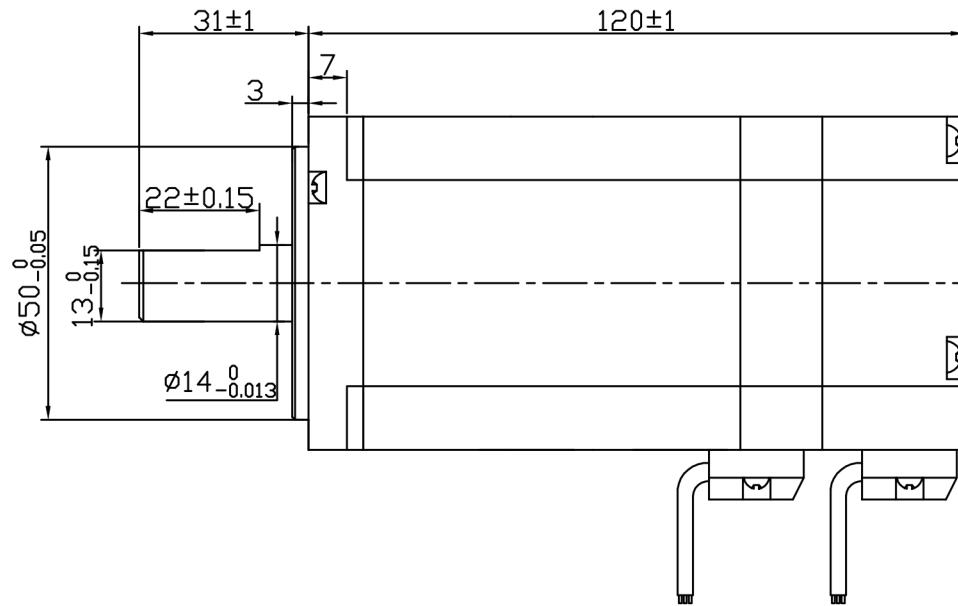
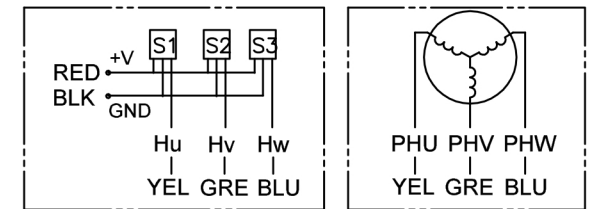


Dimension:
Unit=mm



Connection diagram:



Hall sensor cable
Note: hall sensor power supply
voltage +5 to +20VDC

Wiring cable

ROTATION: CW VIEWED FROM OUTPUT SHAFT

MANUFACTUER MODEL	JK60BLS03
NUMBER OF POLES	8
PHASE TO PHASERESISTANCE	0.5 OHMS
NOMINAL VOLTAGE	48 VDC
NO LOAD SPEED	3800±10% RPM
NO LOAD CURRENT	0.8 Amps Max.
RATED TORQUE	0.9 N-m
RATED SPEED	3000±10% RPM
OUTPUT POWER	283 W
BACK EMF CONSTANT	12.6 V/kRPM
TORQUE CONSTANT	0.12 N-m/A
INSULATION CLASS	B

ELECTRICAL CONNECTION TABLE

+5V	RED	红	五芯屏蔽线
HALL U	YEL	黄	
HALL V	GRE	绿	
HALL W	BLU	蓝	
GND	GND	黑	
PHASE U	YEL	黄	FF46-1 AF1.5mm ²
PHASE V	GRE	绿	
PHASE W	BLU	蓝	

REV.	QTY.	No.	SIG.	DATE
DESIGN	张宇	20.06.11	STD.	
CHECK				
PROC.			APPR.	

Title:			Changzhou BesFoc Motor Co., Ltd
Specification			
CLS.MAK	WEIGHT	SCALE	BF60BLS03
PAGE: 1/1			www.besfoc.com