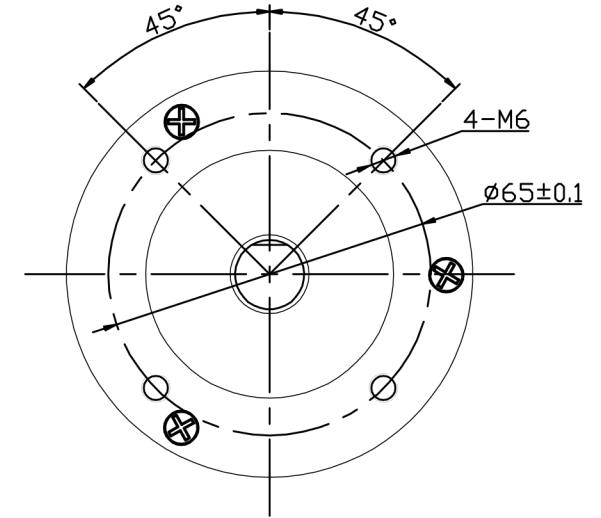
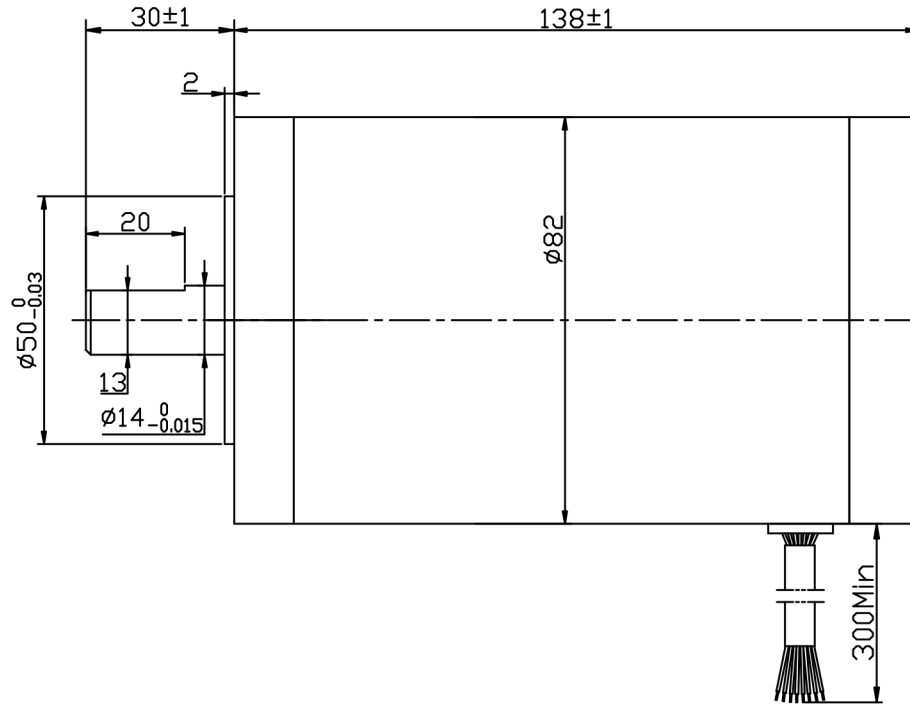


Dimension:  
Unit=mm



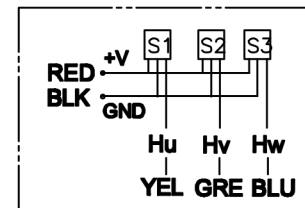
ROTATION: CCW SEE FROM LEAD END

MANUFACTUER MODEL	JK80BLS04
NUMBER OF POLES	4
PHASE TO PHASERESISTANCE	0.23 OHMS
NOMINAL VOLTAGE	48 VDC
NO LOAD SPEED	3700±10% RPM
NO LOAD CURRENT	1.1 Amps Max.
RATED TORQUE	1.4 N-m
RATED SPEED	3000±10% RPM
OUTPUT POWER	440 W
BACK EMF CONSTANT	13 V/kRPM
TORQUE CONSTANT	0.124 N-m/A
INSULATION CLASS	B

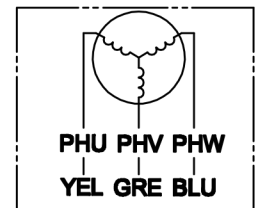
ELECTRICAL CONNECTION TABLE

+5V	RED	紅	UL1007 26 AWG
HALL U	YEL	黃	
HALL V	GRE	綠	
HALL W	BLU	藍	
GND	BLK	黑	
PHASE U	YEL	黃	
PHASE V	GRE	綠	
PHASE W	BLU	藍	

Connection diagram:



Hall sensor cable  
Note: hall sensor power supply  
voltage +5 to +20VDC



Wiring cable

REV. QTY. No. SIG. DATE				Title: Specification		Changzhou BesFoc Motor Co., Ltd	
DESIGN	WH	18.01.20	STD.		CLS.MAK	WEIGHT	SCALE
CHECK							
PROC.			APPR.		PAGE: 1/1		BF80BLS04
							www.besfoc.com